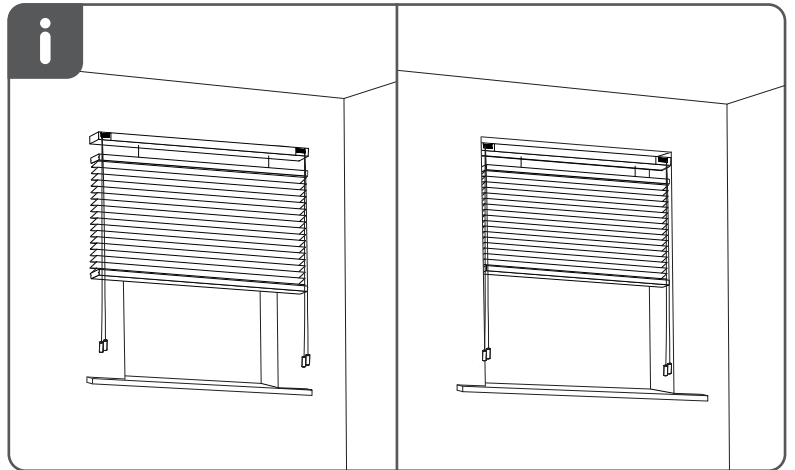
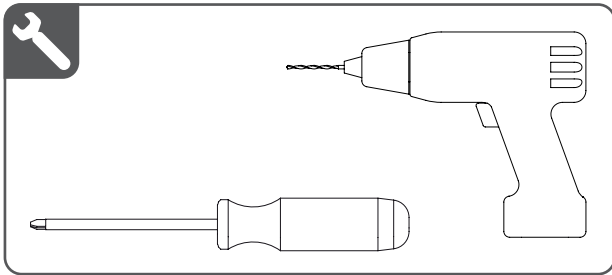
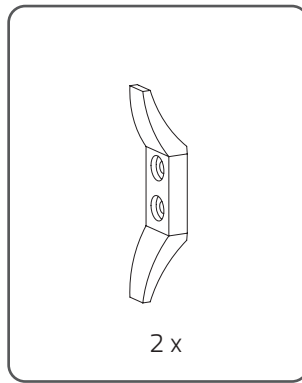
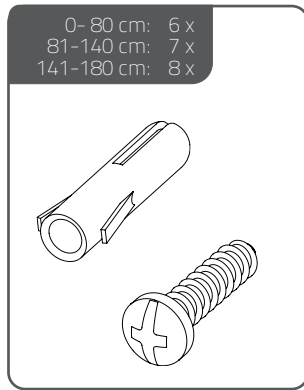
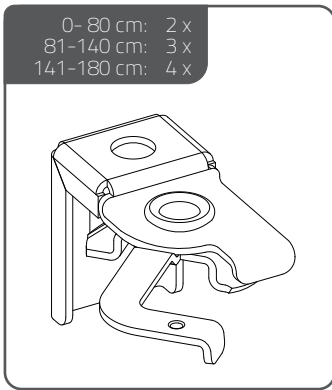
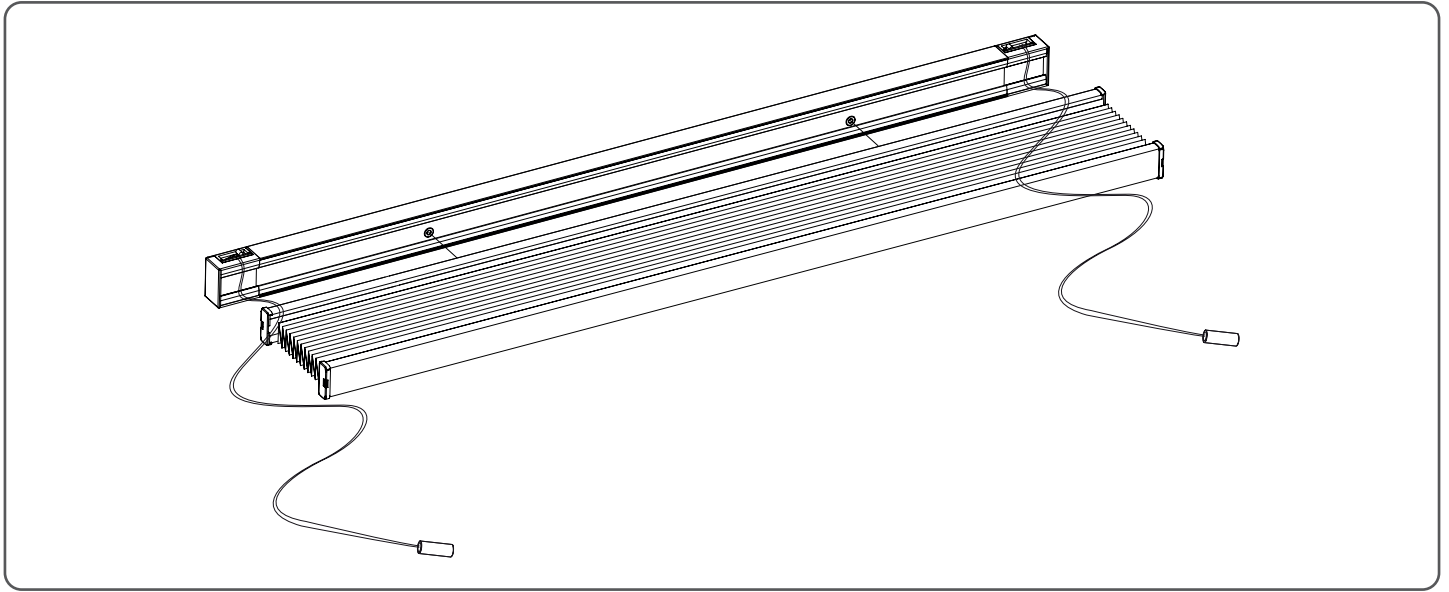


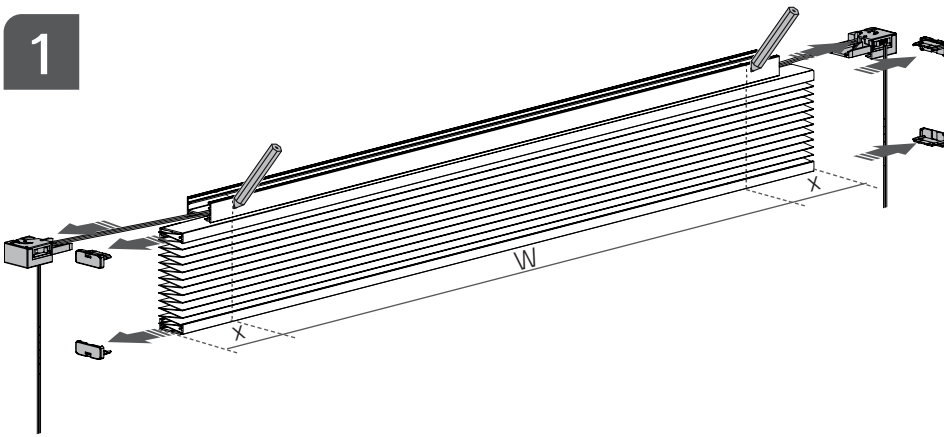


Pleated Cordlock TDBU

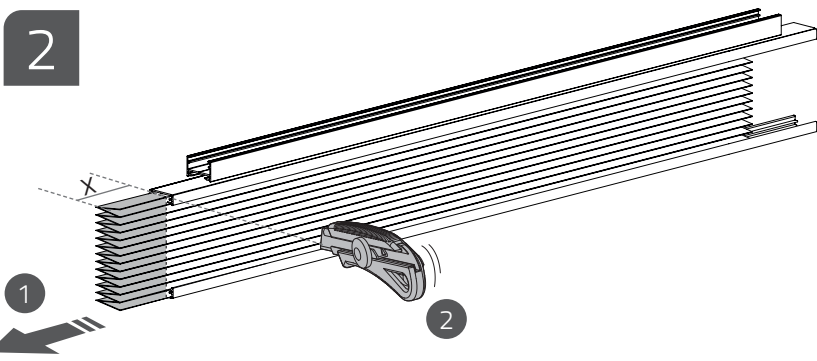




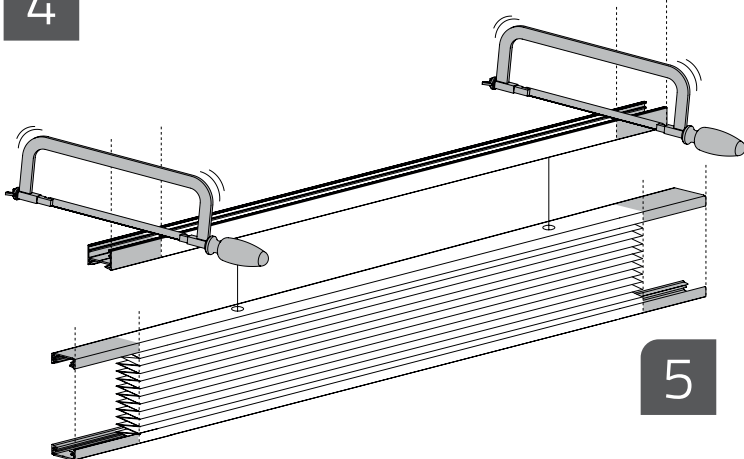
1



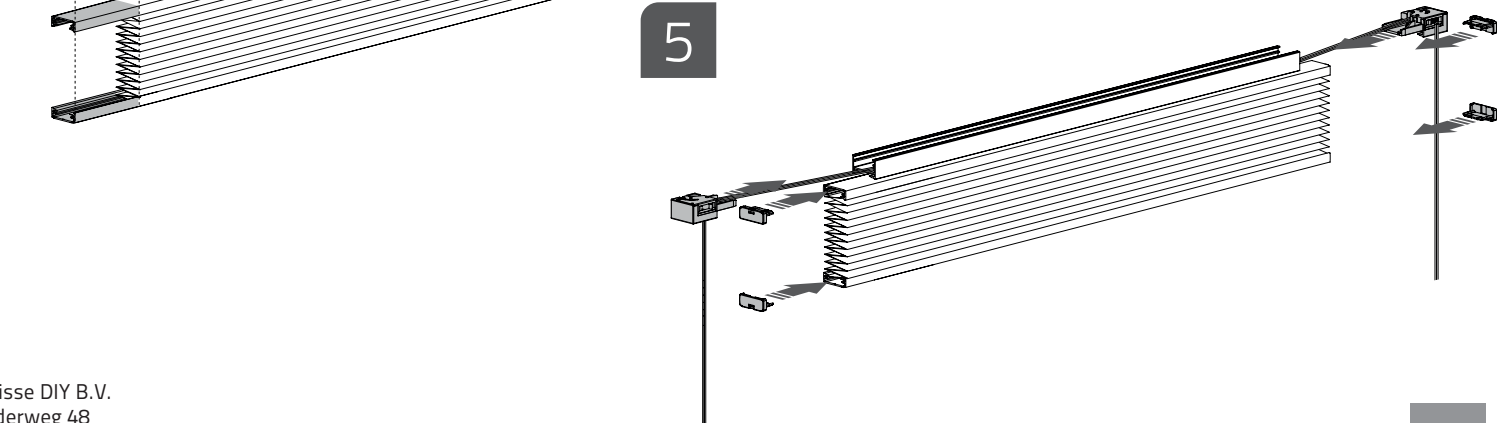
2



4



5



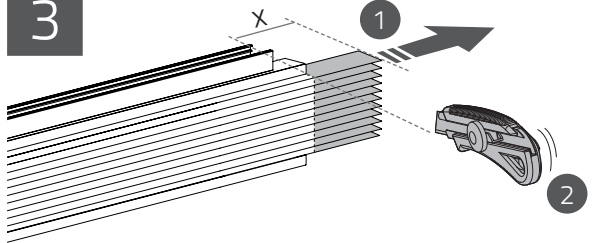
i

W

W

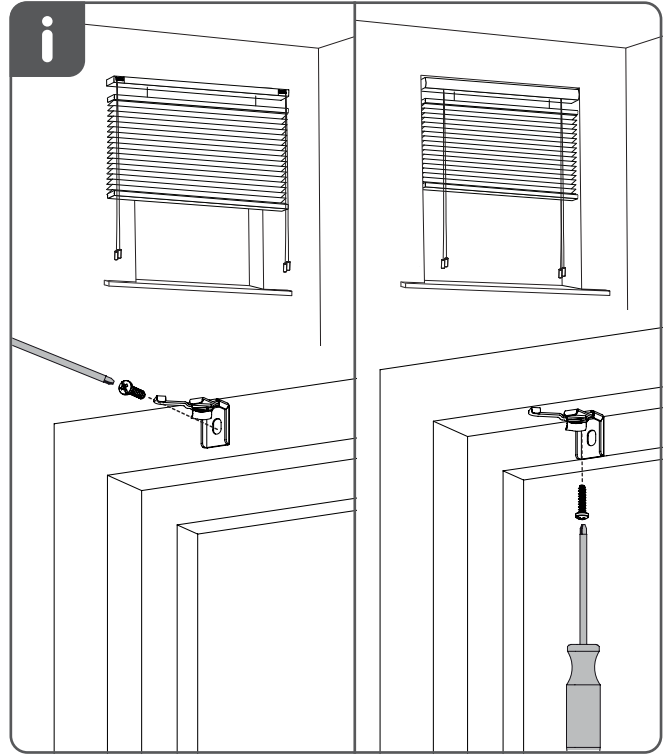
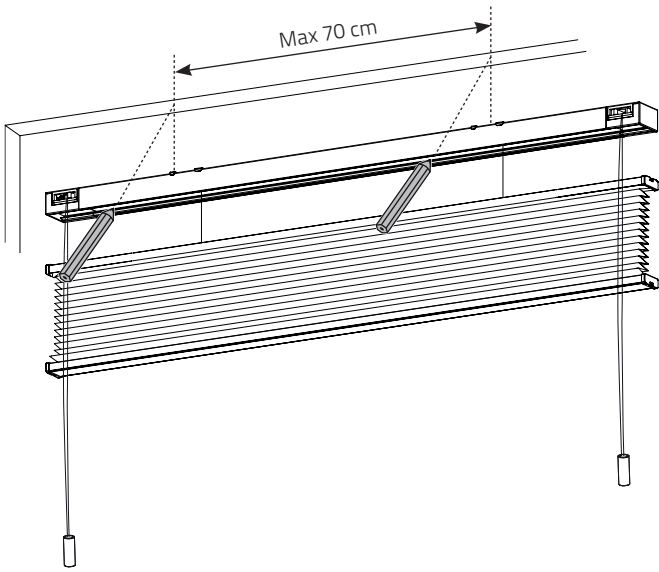
W	X max	W min
400	40	320
600	110	380
800	110	580
1000	110	780
1200	110	980
1400	110	1180
1600	110	1380

3

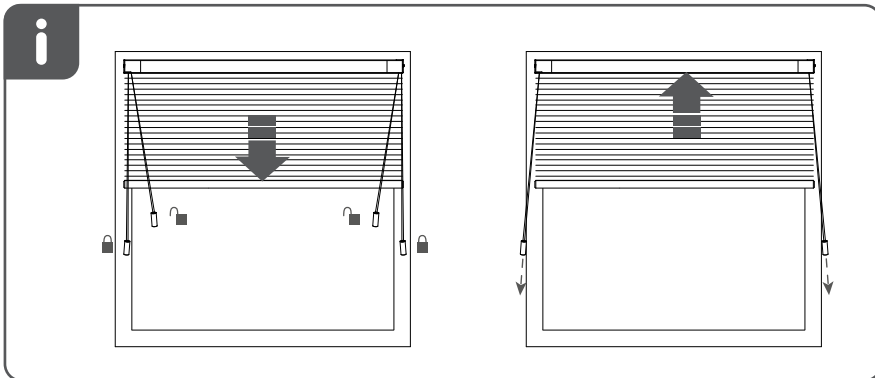
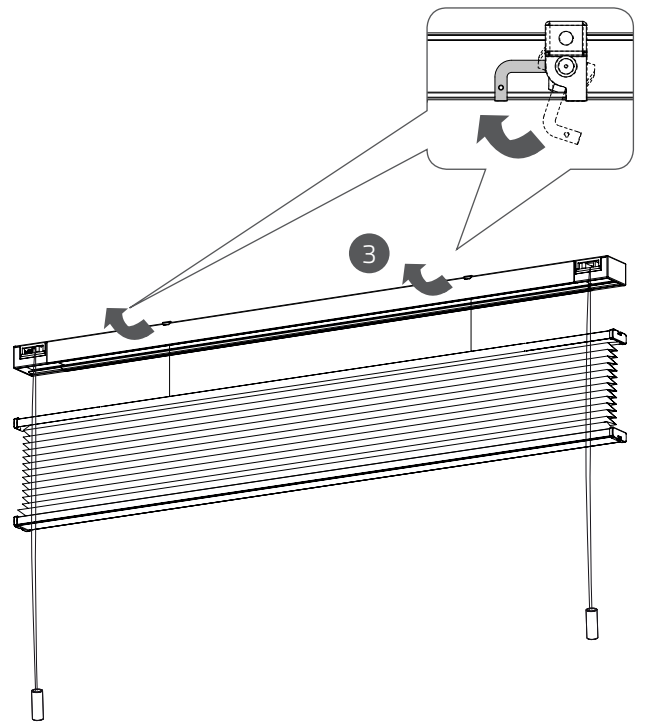
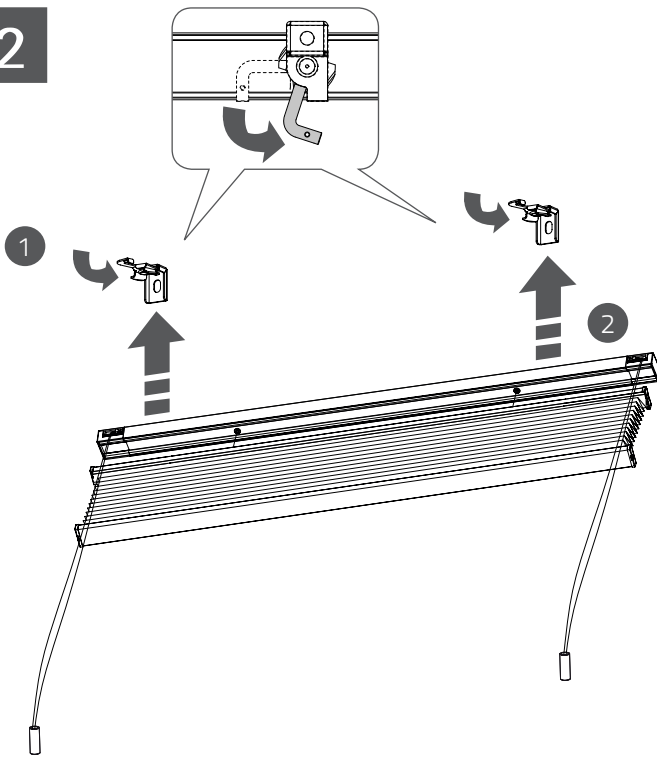


MNZ10039_202.10323

1



2



MN210039_202.10323